

DHC-E 8, DHC-E 10

English

DHC-E TANKLESS ELECTRIC WATER HEATERS INSTALLATION INSTRUCTIONS FOR THE LICENSED PLUMBER AND ELECTRICIAN

Español

DHC-E CALENTADORES DE AGUA SIN TANQUE INSTRUCCIONES PARA LA INSTALACIÓN POR UN PLOMERO Y ELECTRICISTA AUTORIZADO

**English Table of contents**

Temperature increase above ambient water temperature	2
General	6
Mounting the unit	7
Water connections	7
Electrical connection	7
Putting the water heater into operation	7
Normal maintenance	7
Technical Data	8
Troubleshooting	8
Spare parts	9
Warranty	11

Tabla de Contenido en Español

Aumento máximo de temperatura del agua fría entrante	2
Características generales de la unidad	6
Colocación y montaje	7
Conexiones de agua	7
Conexión eléctrica	7
Arranque inicial	7
Mantenimiento rutinario	7
Datos técnicos	8
Identificación y resolución de problemas	8
Repuestos	9
Garantía	11

Maximum temperature increase above ambient water temperature

Aumento máximo de temperatura del agua fría entrante

English		Español					
105 °F Warm water outlet temperature		Warm water flow rate [GPM]					
		Cold water inlet temperature					
Typ / Type	kW	40 °F	50 °F	59 °F	68 °F	77 °F	
DHC-E 8	@ 208 V	5.4	0.55	0.66	0.79	0.98	1.29
	@ 240 V	7.2	0.73	0.88	1.05	1.30	1.72
DHC-E 10	@ 208 V	7.2	0.73	0.88	1.05	1.30	1.72
	@ 240 V	9.6	0.98	1.17	1.40	1.74	2.30
40 °C Warm water outlet temperature		Warm water flow rate [GPM]					
		Cold water inlet temperature					
Typ / Type	kW	4 °C	10 °C	15 °C	20 °C	25 °C	
DHC-E 8	@ 208 V	5.4	2.1	2.5	3.0	3.7	4.9
	@ 240 V	7.2	2.8	3.3	4.0	4.9	6.5
DHC-E 10	@ 208 V	7.2	2.8	3.3	4.0	4.9	6.5
	@ 240 V	9.6	3.7	4.4	5.3	6.6	8.7

105 °F Temperatura del agua caliente		Flujo de agua caliente [GPM]					
		Agua fría temperatura de entrada					
Tipo	kW	40 °F	50 °F	59 °F	68 °F	77 °F	
DHC-E 8	@ 208 V	5.4	0.55	0.66	0.79	0.98	1.29
	@ 240 V	7.2	0.73	0.88	1.05	1.30	1.72
DHC-E 10	@ 208 V	7.2	0.73	0.88	1.05	1.30	1.72
	@ 240 V	9.6	0.98	1.17	1.40	1.74	2.30
40 °C Temperatura del agua caliente		Flujo de agua caliente [GPM]					
		Agua fría temperatura de entrada					
Tipo	kW	4 °C	10 °C	15 °C	20 °C	25 °C	
DHC-E 8	@ 208 V	5.4	2.1	2.5	3.0	3.7	4.9
	@ 240 V	7.2	2.8	3.3	4.0	4.9	6.5
DHC-E 10	@ 208 V	7.2	2.8	3.3	4.0	4.9	6.5
	@ 240 V	9.6	3.7	4.4	5.3	6.6	8.7

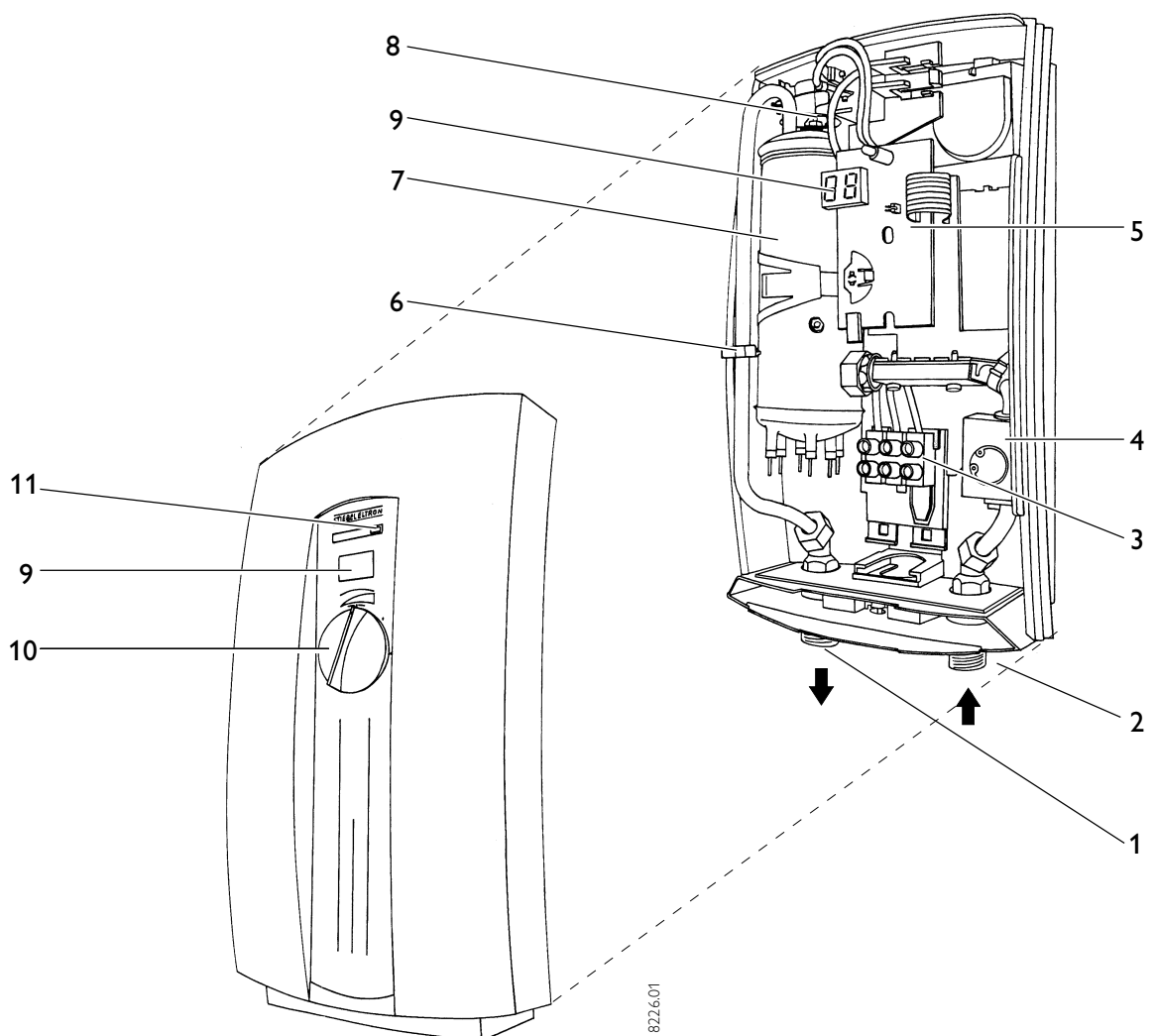
113 °F Warm water outlet temperature		Warm water flow rate [GPM]					
		Cold water inlet temperature					
Typ / Type	kW	40 °F	50 °F	59 °F	68 °F	77 °F	
DHC-E 8	@ 208 V	5.4	0.50	0.57	0.67	0.80	1.0
	@ 240 V	7.2	0.65	0.76	0.89	1.07	1.34
DHC-E 10	@ 208 V	7.2	0.65	0.76	0.89	1.07	1.34
	@ 240 V	9.6	0.87	1.02	1.19	1.42	1.78
45 °C Warm water outlet temperature		Warm water flow rate [GPM]					
		Cold water inlet temperature					
Typ / Type	kW	4 °C	10 °C	15 °C	20 °C	25 °C	
DHC-E 8	@ 208 V	5.4	1.9	2.2	2.5	3.0	3.8
	@ 240 V	7.2	2.5	2.9	3.4	4.0	5.1
DHC-E 10	@ 208 V	7.2	2.5	2.9	3.4	4.0	5.1
	@ 240 V	9.6	3.3	3.9	4.5	5.4	6.7

113 °F Temperatura del agua caliente		Flujo de agua caliente [GPM]					
		Agua fría temperatura de entrada					
Tipo	kW	40 °F	50 °F	59 °F	68 °F	77 °F	
DHC-E 8	@ 208 V	5.4	0.50	0.57	0.67	0.80	1.0
	@ 240 V	7.2	0.65	0.76	0.89	1.07	1.34
DHC-E 10	@ 208 V	7.2	0.65	0.76	0.89	1.07	1.34
	@ 240 V	9.6	0.87	1.02	1.19	1.42	1.78
45 °C Temperatura del agua caliente		Flujo de agua caliente [GPM]					
		Agua fría temperatura de entrada					
Tipo	kW	4 °C	10 °C	15 °C	20 °C	25 °C	
DHC-E 8	@ 208 V	5.4	1.9	2.2	2.5	3.0	3.8
	@ 240 V	7.2	2.5	2.9	3.4	4.0	5.1
DHC-E 10	@ 208 V	7.2	2.5	2.9	3.4	4.0	5.1
	@ 240 V	9.6	3.3	3.9	4.5	5.4	6.7

125.6 °F Warm water outlet temperature		Warm water flow rate [GPM]					
		Cold water inlet temperature					
Typ / Type	kW	40 °F	50 °F	59 °F	68 °F	77 °F	
DHC-E 8	@ 208 V	5.4	0.42	0.48	0.55	0.63	0.75
	@ 240 V	7.2	0.56	0.64	0.73	0.84	1.0
DHC-E 10	@ 208 V	7.2	0.56	0.64	0.73	0.84	1.0
	@ 240 V	9.6	0.75	0.86	0.97	1.12	1.33
52 °C Warm water outlet temperature		Warm water flow rate [GPM]					
		Cold water inlet temperature					
Typ / Type	kW	4 °C	10 °C	15 °C	20 °C	25 °C	
DHC-E 8	@ 208 V	5.4	1.6	1.8	2.1	2.4	2.8
	@ 240 V	7.2	2.1	2.4	2.8	3.2	3.8
DHC-E 10	@ 208 V	7.2	2.1	2.4	2.8	3.2	3.8
	@ 240 V	9.6	2.8	3.2	3.7	4.3	5.0

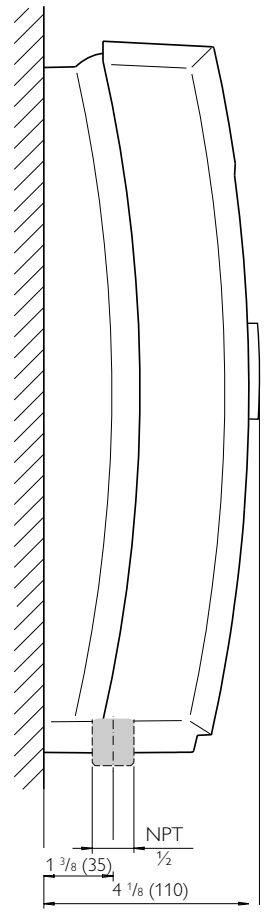
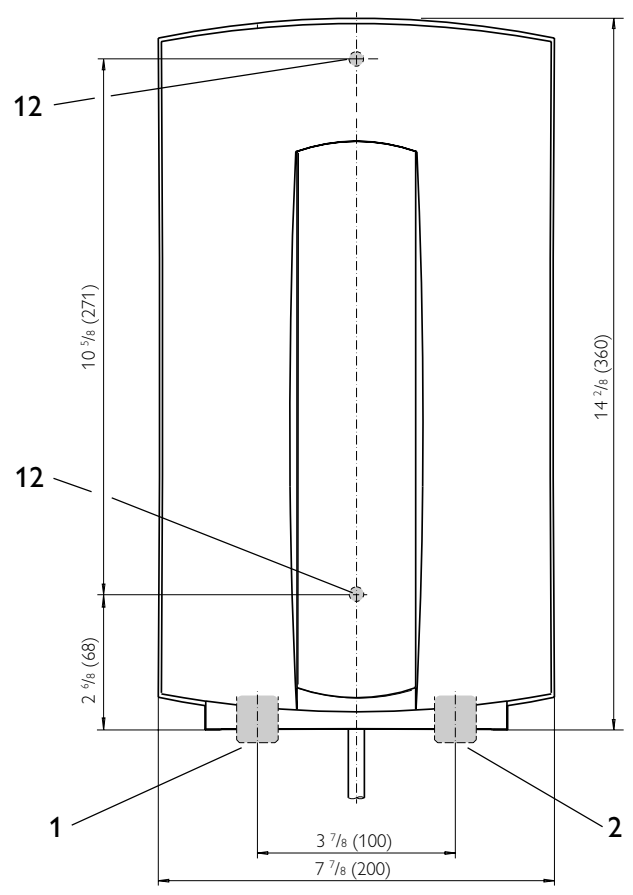
125.6 °F Temperatura del agua caliente		Flujo de agua caliente [GPM]					
		Agua fría temperatura de entrada					
Tipo	kW	40 °F	50 °F	59 °F	68 °F	77 °F	
DHC-E 8	@ 208 V	5.4	0.42	0.48	0.55	0.63	0.75
	@ 240 V	7.2	0.56	0.64	0.73	0.84	1.0
DHC-E 10	@ 208 V	7.2	0.56	0.64	0.73	0.84	1.0
	@ 240 V	9.6	0.75	0.86	0.97	1.12	1.33
52 °C Temperatura del agua caliente		Flujo de agua caliente [GPM]					
		Agua fría temperatura de entrada					
Tipo	kW	4 °C	10 °C	15 °C	20 °C	25 °C	
DHC-E 8	@ 208 V	5.4	1.6	1.8	2.1	2.4	2.8
	@ 240 V	7.2	2.1	2.4	2.8	3.2	3.8
DHC-E 10	@ 208 V	7.2	2.1	2.4	2.8	3.2	3.8
	@ 240 V	9.6	2.8	3.2	3.7	4.3	5.0

Table 1



8226.01

8227.02

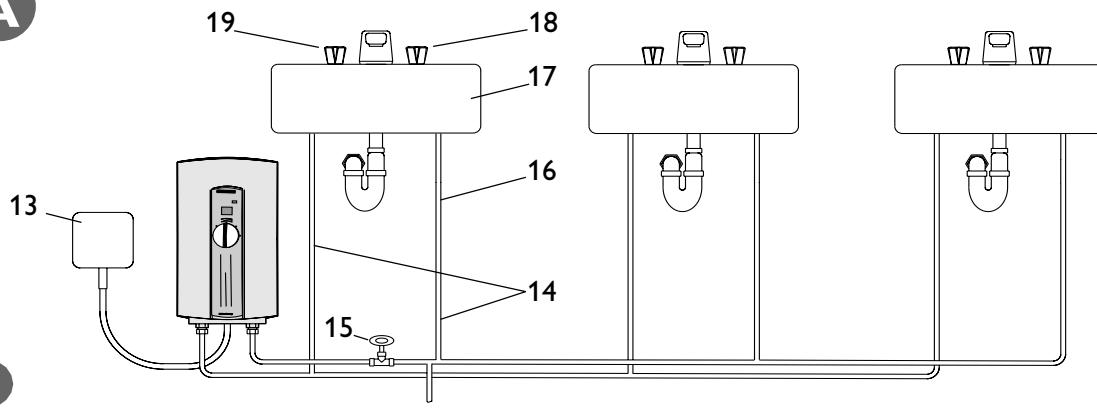


[inch (mm)]
[pouce (mm)]

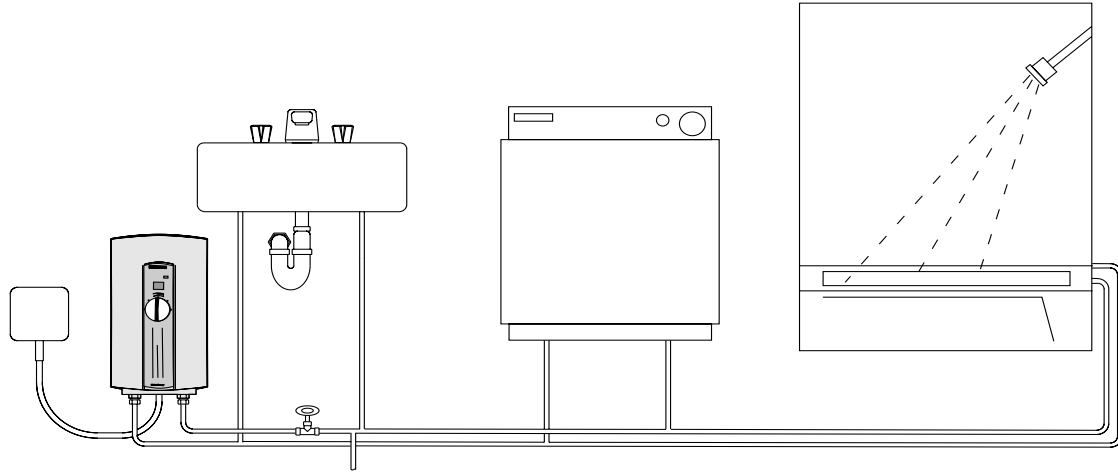
8228.01

A

1



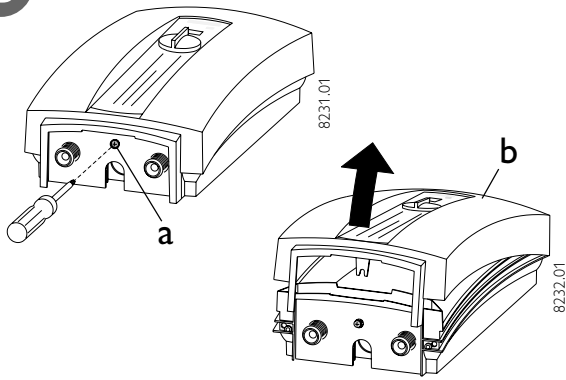
2



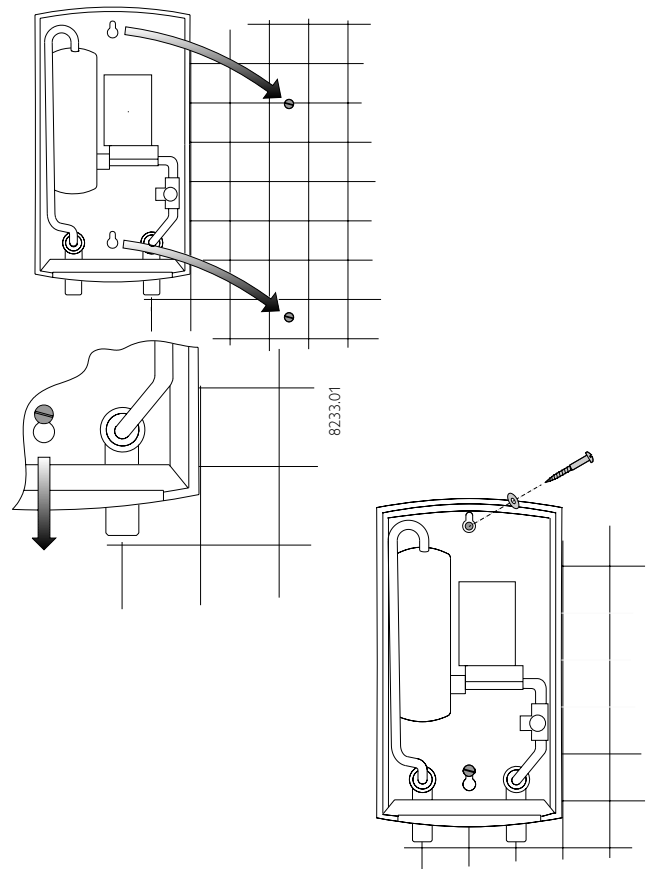
8229.01

8230.01

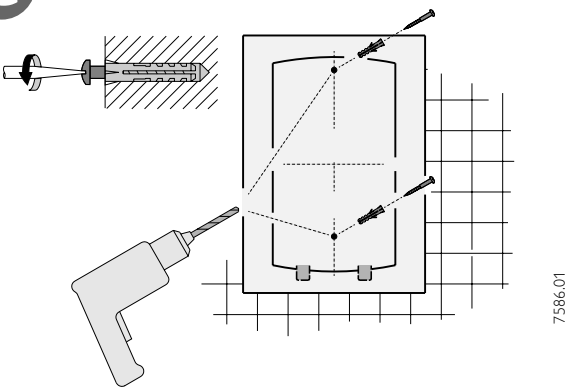
B



D

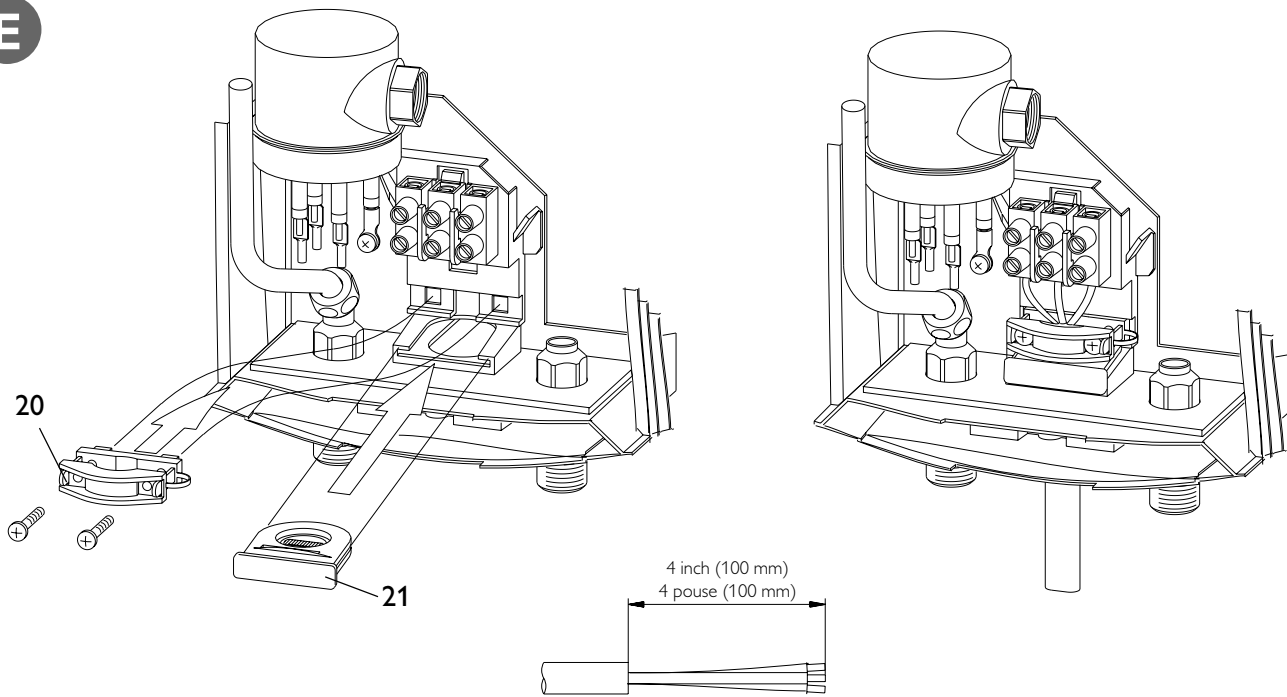


C

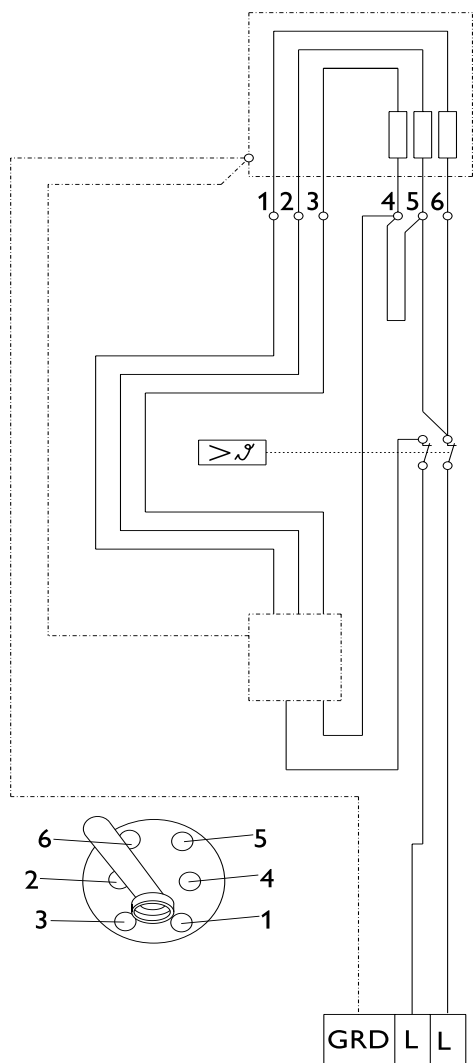


7586.01

8234.01

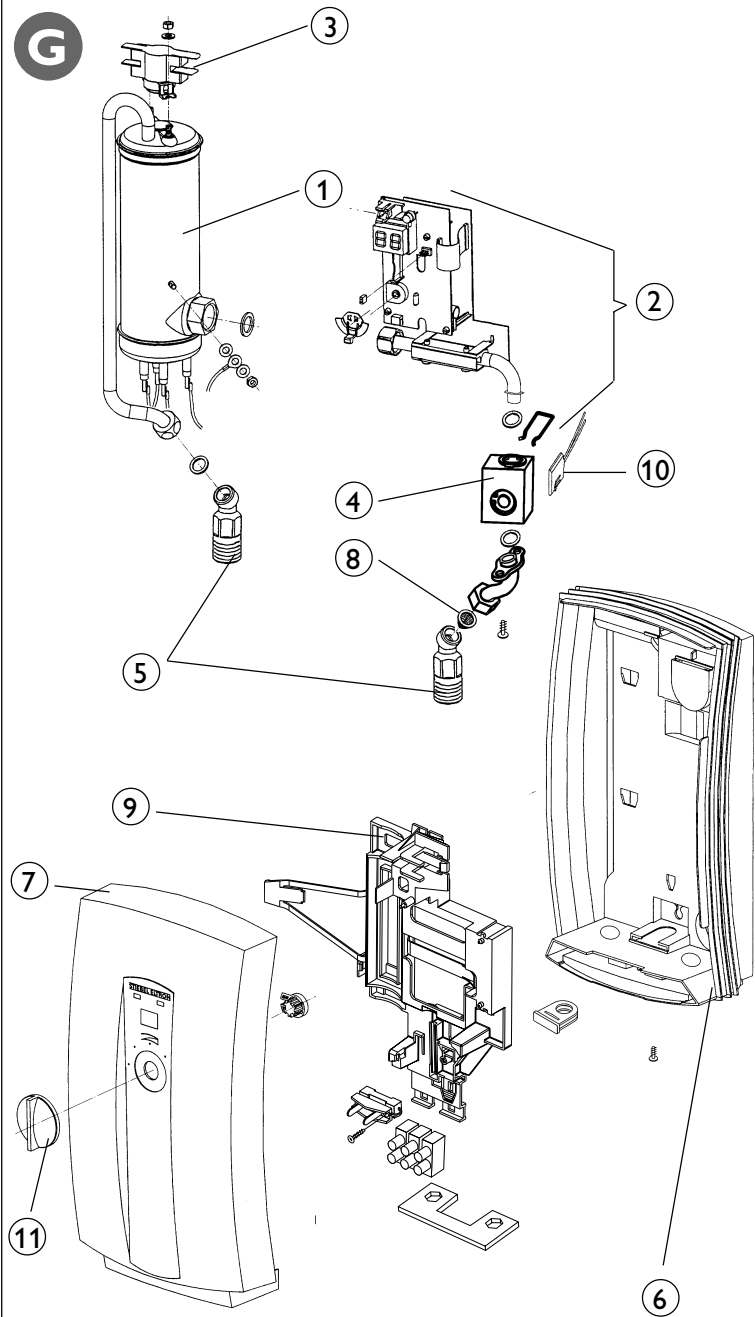
E

8235.01

F

DHC-E 8, DHC-E 10
2/GRD ~ 208 / 240 V

8236.01

G

THIS MANUAL MUST BE READ CAREFULLY BEFORE ATTEMPTING TO INSTALL THE DHC-E WATER HEATER. IF YOU DO NOT FOLLOW THE SAFETY RULES OR THE INSTRUCTIONS OUTLINED IN THIS MANUAL, THE UNIT MAY NOT OPERATE PROPERLY AND IT COULD CAUSE PROPERTY DAMAGE, SERIOUS BODILY INJURY AND/OR DEATH.

STIEBEL ELTRON, INC. WILL NOT BE LIABLE FOR ANY DAMAGES BECAUSE OF FAILURE TO COMPLY WITH THE INSTALLATION AND OPERATING INSTRUCTIONS OUTLINED IN THIS MANUAL OR BECAUSE OF IMPROPER USE. IMPROPER USE INCLUDES THE USE OF THIS APPLIANCE TO HEAT ANY LIQUID OTHER THAN WATER. FAILURE TO COMPLY WITH THE INSTALLATION AND OPERATING INSTRUCTIONS OR IMPROPER USE VOIDS WARRANTY. NEVER REMOVE THE UNIT'S PLASTIC COVER UNLESS THE ELECTRICITY IS TURNED OFF.

IF YOU HAVE ANY QUESTIONS REGARDING THE INSTALLATION OR OPERATION OF THIS WATER HEATER, OR IF YOU NEED AN ADDITIONAL INSTALLATION MANUAL, PLEASE CALL OUR TECHNICAL SERVICE LINE AT 800-582-8423 (USA AND CANADA ONLY). IF YOU ARE CALLING FROM OUTSIDE THE U.S. AND CANADA, PLEASE CALL USA 413-538-7850 AND WE WILL REFER YOU TO A QUALIFIED STIEBEL ELTRON SERVICE REPRESENTATIVE IN YOUR AREA.

Legend to figures

- 1 Hot water connection
- 2 Cold water connection
- 3 Wiring block
- 4 Flow sensor
- 5 Electronic control unit
- 6 Temperature sensor
- 7 Heating system
- 8 Safety thermal cut out
- 9 Display
- 10 Temperature adjustment rotary switch
- 11 "Power" light
- 12 Mounting holes
- 13 Electrical junction box
- 14 Water supply line for faucet installation
- 15 Shut-off valve
- 16 1/2" main pipe
- 17 Sink
- 18 Cold valve (right)
- 19 Hot valve (left)
- 20 Wire strain relief clamp
- 21 Wire inlet

General

The DHC-E tankless water heater differs from conventional storage type water heaters in several ways. It does not store hot water. Instead, water is heated instantaneously as it flows through the unit. Due to the absence of stand-by losses, the DHC-E offers greater energy efficiency than storage type water heaters.

The input of heat into the water is electronically controlled. The DHC-E will deliver any water temperature between 86 °F (30 °C) and 125 °F (52 °C). Please set the desired temperature using the knob on the front cover. The LED displays the temperature that the unit will produce in °C. Please use the conversion table on the unit in order to obtain degree Fahrenheit. In case the "Power" light is flashing while the unit operates, the water flow rate exceeds the heating capacity of the unit. Reduce the hot water flow rate in order to let the unit achieve the set point temperature. The maximum temperature is electronically limited to 125 °F (52 °C). In case you have questions regarding the way you plan to use the DHC-E, please call our technical service line at 800-582-8423 (USA and Canada). For service outside the U.S. and Canada, please call us at USA 413-538-7850. You can also e-mail us at info@stiebel-eltron-usa.com or fax us at USA 413-538-8555.

One DHC-E can be used for the following applications:

U.S. and Canada

one or multiple hand washing sinks
one kitchen sink
cabins with flow restriction at shower head.

A combination of two DHC-E can be used for whole apartment and house applications in the U.S. and Canada. Please contact STIEBEL ELTRON for special installation instructions.

All areas with a ground water temperature likely to exceed 65 °F (18 °C) year round, such as the Caribbean Region, Central America, Mexico etc.:

Whole apartment or house

Mounting the unit

⚠ UNIT MUST BE INSTALLED IN A VERTICAL POSITION WITH THE WATER FITTINGS POINTING DOWNWARD. DO NOT INSTALL UNIT WHERE IT WOULD ROUTINELY BE SPLASHED WITH WATER. ELECTRIC SHOCK MAY RESULT.

1. Install DHC-E as close as possible to the main hot water draw-off points.
2. Install DHC-E in a frost free area. If frost may occur, remove unit before freezing temperatures set in.
3. Leave a minimum of 5" of clearance on all sides for servicing.
4. Remove plastic cover **B**.
5. Mount unit securely to wall by putting two screws through mounting holes **C** **D**. Screws and plastic wall anchors for mounting on masonry or wood are provided.

Water connections

1. All plumbing work must comply with national and applicable state and local plumbing codes.
2. A pressure reducing valve must be installed if the cold water supply pressure exceeds 150 PSI (10 bar).
3. Make certain that the cold water supply line has been flushed to remove any scale and dirt.
4. Install isolating valve in cold water line as shown in illustration **A**-16. This allows the unit to be isolated for maintenance purposes.
5. Cold water connection (inlet) is on the right side of the unit, hot water connection (outlet) is on the left side of unit.

⚠ NOTE: EXCESSIVE HEAT FROM SOLDERING ON COPPER PIPES NEAR THE DHC MAY CAUSE DAMAGE.

6. Tankless water heaters such as the DHC-E are not required to be equipped with a Pressure and Temperature Relief Valve (P&T). If the local inspector will not pass the installation without a P&T, it should be installed on the hot water outlet side of unit.
7. The DHC-E is designed for connection to copper tubing, PEX tubing or a braided stainless steel hose with a 1/2" NPT female tapered thread. If soldering near the unit is necessary, please direct the flame away from the plastic housing of the unit in order to avoid damage.
8. When all plumbing work is completed, check for leaks and take corrective action before proceeding.

Electrical connection

⚠ WARNING: BEFORE BEGINNING ANY WORK ON THE ELECTRIC INSTALLATION, BE SURE THAT MAIN BREAKER PANEL SWITCH IS „OFF“ TO AVOID ANY DANGER OF ELECTRIC SHOCK. ALL MOUNTING AND PLUMBING MUST BE COMPLETED BEFORE PROCEEDING WITH ELECTRICAL HOOK-UP. WHERE REQUIRED BY LOCAL, STATE OR NATIONAL ELECTRICAL CODES THE CIRCUIT SHOULD BE EQUIPPED WITH A „GROUND FAULT INTERRUPTER“.

1. All electrical work must comply with national and applicable state and local electrical codes.
2. The DHC-E should be connected to a properly grounded dedicated branch circuit of proper voltage rating. In installations with several DHC-E units, each unit requires an independent circuit. Please refer to the technical data table for the correct wire and circuit breaker size.
3. The wire must be fed through the rubber seal located between the hot and cold water connections **E**. Then feed wires through strain relief clamp and tighten clamp down on wire. The „live“ wires must be connected to the slots on the terminal block marked L and L. The ground wire must be connected to slot marked with the ground symbol.
4. Reinstall plastic cover.

⚠ WARNING: AS WITH ANY ELECTRIC APPLIANCE, FAILURE TO ELECTRICALLY GROUND UNIT MAY RESULT IN SERIOUS INJURY OR DEATH.

Putting the water heater into operation

⚠ WARNING: OPEN HOT WATER FAUCET FOR A FEW MINUTES UNTIL WATER FLOW IS CONTINUOUS AND ALL AIR IS PURGED FROM WATER PIPES. THE UNIT'S PLASTIC COVER MUST BE INSTALLED BEFORE THE CIRCUIT BREAKER IS TURNED ON.

1. Turn on circuit breaker to bring electrical power to the unit.
2. Adjust the water temperature to the desired level using the knob on the front cover of the unit. The DHC-E displays the temperature in degree Celsius. There is a conversion table on the front cover that allows to convert from degree Celsius to degree Fahrenheit.
3. Turn on hot water and wait twenty seconds until temperature has stabilized.
4. Check the water temperature with your hand and make sure that it does not feel too hot. Reduce if necessary.

5. Explain to the user how the unit works and familiarise him or her with its use. Advise the user about possible hazards (hot water temperature up to 52 °C). Hand over these instructions, to be kept for future reference.

Normal maintenance

STIEBEL ELTRON **DHC-E** tankless water heaters are designed for a very long service life. Actual life expectancy will vary with water quality and use. The unit itself does not require any regular maintenance. However, to ensure consistent water flow, it is recommended to periodically remove scale and dirt that may build up at the aerator of the faucet or in the shower head. Also, the DHC-E has a built in filter screen that should be cleaned from time to time. In order to do this, turn off the cold water supply at the isolating valve and remove the ground wire **G**. Twist cold water supply tube counterclockwise by 90° and pull towards bottom of unit. Clean screen and put the screen, the cold water supply tube and the ground wire back into their original position. Please be sure that the ground wire is reinstalled and that ground screw is securely tightened after this procedure.

⚠ OTHER THAN THE FILTER SCREEN, THE DHC-E DOES NOT CONTAIN ANY PARTS SERVICEABLE BY THE LAY PERSON. IN CASE OF MALFUNCTION PLEASE CONTACT A LICENSED PLUMBER OR ELECTRICIAN.

Technical Data

Model	DHC-E 8		DHC-E 10		
Phase	1		1		
Voltage	V	208	240	208	240
Wattage	kW	5.4	7.2	7.2	9.6
Ampere	A	26	30	35	40
Min. required circuit breaker size	A	30	40	40	50
Recommended wire size	AWG COPPER	10	8	8	8
Min. water flow to activate unit	GPM / l/min	0.45 / 1.7		0.45 / 1.7	
Pressure loss in unit	PSI / bar	1.46 / 0.1		1.46 / 0.1	
Nominal water volume	0.13 GAL / 0.5 l				
Working pressure max.	150 PSI / 10 bar				
Tested to pressure	300 PSI / 20 bar				
Weight	lbs. / kg	5.9 / 2.7		5.9 / 2.7	
Water connections	1/2" NPT				

- Suitable for supply with up to 95 °F / 35 °C
- Tankless water heaters are considered a non-continuous load
- Conductors should be sized to maintain a voltage drop of less than 3 % under load

Troubleshooting

Symptom	Possible Cause	Solution
No hot water	<ul style="list-style-type: none"> – circuit breaker off – safety thermal cut-out tripped – not enough flow rate to activate unit 	<ul style="list-style-type: none"> – turn circuit breaker on – reset thermal cut-out – clean filter screen at unit – clean faucet aerator or shower head
Water not hot enough	<ul style="list-style-type: none"> – water flow too high – voltage too low 	<ul style="list-style-type: none"> – reduce water flow rate until light on front cover stops blinking – supply correct voltage to unit
LED displays one of the following fault codes : 91, 92, 93, 94, 95, 96, 97	– problem with electronic controls	– contact STIEBEL ELTRON.

If you are not able to resolve a problem please contact us toll free at 800-582-8423 before removing the unit from the wall. STIEBEL ELTRON is happy to provide technical assistance. In most instances, we can resolve the problem over the phone.

Spare parts

No. Spare part	Model	DHC-E 8	DHC-E 10
① Heating system		17 03 03	17 03 04
② Electronic control device		17 03 07	
③ Safety thermal cut out		17 03 05	
④ Flow sensor		17 03 02	
⑤ Plumbing connection		16 58 93	
⑥ Housing (back)		16 58 91	
⑦ Housing (front)		17 03 06	
⑧ Filter screen		15 31 68	
⑨ Module chassis		16 35 60	
⑩ Hall sensor		08 09 35	
⑪ Temperature adjustment rotary switch		16 24 62	

ANTES DE INSTALAR EL CALENTADOR DE AGUA DHC-E FAVOR LEA CUIDADOSAMENTE ESTE MANUAL. EL NO SEGUIR LAS NORMAS DE SEGURIDAD O LAS INSTRUCCIONES PRESENTADAS EN ESTE MANUAL PUEDE OCASIONAR QUE LA UNIDAD NO FUNCIONE APROPIADAMENTE Y PODRÍA CAUSAR DAÑOS A LA PROPIEDAD, SERIAS HERIDAS CORPORALES Y/O LA MUERTE.

STIEBEL ELTRON, INC. NO SE HACE RESPONSABLE POR DAÑOS OCASIONADOS AL NO SEGUIR LAS INSTRUCCIONES DE INSTALACIÓN Y OPERACIÓN PRESENTADAS EN ESTE MANUAL, O POR USO INADECUADO DE LA UNIDAD. USO INADECUADO INCLUYE EL USO DE ESTA ARTEFACTO PARA CALENTAR OTROS LÍQUIDOS QUE NO SEA AGUA. EL NO SEGUIR LAS INSTRUCCIONES DE INSTALACIÓN Y OPERACIÓN O EL USO INDEBIDO DEL ARTEFACTO ANULA AUTOMÁTICAMENTE LA GARANTÍA. ASEGÚRESE QUE LA ELECTRICIDAD HA SIDO APAGADA ANTES DE REMOVER LA CUBIERTA PLÁSTICA DE LA UNIDAD.

SI TIENE CUALQUIER PREGUNTA REFERENTE A LA INSTALACIÓN U OPERACIÓN DE ESTE CALENTADOR DE AGUA, O SI NECESITA UN MANUAL DE INSTALACIÓN ADICIONAL, POR FAVOR LLAME A NUESTRA LÍNEA DE SERVICIO TÉCNICO AL 800-582-8423 (SI SE ENCUENTRA EN USA O CANADÁ, SOLAMENTE). SI LLAMA DE FUERA DE LOS ESTADOS UNIDOS O CANADÁ, POR FAVOR LLAME AL USA 413-538-7850 Y LO REFERIREMOS A UN REPRESENTANTE CALIFICADO DE LOS SERVICIOS DE STIEBEL ELTRON EN SU ÁREA.

Clave para las figuras

- 1 Conexión para el agua caliente
- 2 Conexión para el agua fría
- 3 Bloque del cableado
- 4 Medidor del flujo
- 5 Unidad de control electrónico
- 6 Medidor de temperatura
- 7 Sistema calentador
- 8 Interruptor térmico de seguridad
- 9 Pantalla
- 10 Perilla para ajuste de la temperatura
- 11 Luz de "Encendido"
- 12 Agujeros para montaje
- 13 Caja de empalmes eléctrico
- 14 Línea de suministro de agua para la instalación del grifo
- 15 Llave de paso
- 16 1/2" Tubería principal
- 17 Lavabo
- 18 Llave de agua fría (derecha)
- 19 Llave de agua caliente (izquierda)
- 20 Abrazadera para reducir la tensión del cable
- 21 Entrada del cable

Características Generales

El calentador de agua sin tanque DHC-E se diferencia de los calentadores con tanque tradicionales de varias maneras. No tiene almacén de agua. En su lugar el agua es calentada instantáneamente cuando pasa a través de la unidad. Debido a la ausencia de pérdida de calor en el tanque, el calentador DHC-E ofrece mayor eficiencia energética que los calentadores con almacenamiento de agua.

El calor suministrado al agua es controlado electrónicamente. El calentador DHC-E puede calentar el agua a cualquier temperatura entre los 86 °F (30 °C) y 125 °F (52 °C). Por favor, ajuste la temperatura deseada utilizando la perilla en la cubierta frontal de la unidad. La pantalla LED le mostrará la temperatura que la unidad producirá en °C. Por favor, utilice la tabla de conversión en la unidad para obtener grados Fahrenheit. En el caso que la luz de „encendido“ („Power“) parpadee mientras la unidad está funcionando, indica que el flujo de agua excede la capacidad de la unidad. Para resolver este problema disminuya el flujo de agua caliente para permitir a la unidad alcanzar la temperatura deseada. La temperatura máxima está limitada electrónicamente a 125 °F (52 °C). En caso que tenga alguna pregunta referente a la forma en que usted desea utilizar el calentador DHC-E, por favor llame a nuestra línea de servicios técnicos al 800-582-8423 (si se encuentra en USA o Canadá). Para solicitar servicios fuera de los Estados Unidos o Canadá, por favor llámenos al 413-538-7850. También puede comunicarse con nosotros por correo electrónico a la siguiente dirección: info@stiebel-eltron-usa.com o por fax al 413-538-8555.

Un calentador DHC-E puede ser utilizado para:

U.S. y Canadá

uno o múltiples lavabos en el baño
un lavadero para la cocina
cabañas con restrictores de flujo en la cabeza de la ducha
Una combinación de dos DHC-E pueden ser utilizados para todas las aplicaciones necesarias en un apartamento o casa en los Estados Unidos y Canadá. Por favor comuníquese con STIEBEL ELTRON para instrucciones especiales para la instalación.

Para todas aquellas áreas donde la temperatura del agua fría generalmente sobrepasan los 65 °F (18 °C) a lo largo de todo el año, tales como las regiones del Caribe, América Central, México, etc.:

Las unidades pueden dar servicio a todo un apartamento o casa

Colocación y montaje de la unidad

⚠ LA UNIDAD DEBE SER INSTALADA VERTICALMENTE CON LAS CONEXIONES A LAS TUBERÍAS DE AGUA DIRIGIDAS HACIA ABAJO. NO INSTALE LA UNIDAD A LA INTEMPERIE O DONDE PUEDA SER SALPICADA CON AGUA FRECUENTEMENTE DADO QUE PUEDE OCASIONAR CORTO-CIRCUITOS.

1. Instale el calentador DHC-E tan cerca como sea posible del lugar donde se necesite más agua caliente.
2. Instale el calentador DHC-E en un área donde no exista riesgo de congelación del agua. Si el agua puede congelarse, remueva la unidad antes que la temperatura baje al punto de congelación.
3. Deje un mínimo de 5" libre en todos los lados del calentador para facilitar servicio y mantenimiento.
4. Retire la cubierta plástica. **B**.
5. Asegure la unidad a la pared pasando dos tornillos a través de los agujeros apropiados. **C D**. Se incluyen tornillos y abrazaderas plásticas para instalación en mampostería o madera.

Conexiones de agua

1. Todo el trabajo de plomería debe cumplir con los códigos de plomería estatales y locales.
2. Una válvula para reducir la presión debe ser instalada, si la presión del suministro de agua excede los 150 PSI (10 bar).
3. Asegúrese que la línea que suministra el agua fría ha sido limpiada para remover sucio y cualquier depósito presente.
4. Instale la válvula para aislar la línea de agua fría, como se muestra en la figura **A**-16. Esto le permitirá aislar la unidad para facilitar instalación y mantenimiento.
5. La conexión del agua fría (entrada) está en el lado derecho de la unidad, la conexión de agua caliente (salida) está en el lado izquierdo de la unidad.

⚠ NOTA: EL CALOR EXCESIVO PRODUCIDO DURANTE LA SOLDADURA DE TUBERÍAS DE COBRE CERCA DEL CALENTADOR DHC, PUEDE CAUSAR DAÑOS A LA UNIDAD.

6. Calentadores de agua sin tanque tales como el DHC-E no requieren estar equipados con Válvulas de Escape de Presión y Temperatura (P&T). Si el inspector local no autoriza la instalación sin la válvula P&T, esta debe ser instalada en el lado de la unidad que corresponde a la salida del agua caliente.
7. El calentador DHC-E está diseñado para ser conectado a tuberías de cobre, tubos PEX o a una manguera entretejida con acero inoxidable, con una conexión hembra de NPT de 1/2". Si se necesita soldar muy cerca de la unidad, por favor mantenga la llama lo más lejos posible del

plástico que cubre la unidad, para evitar daños a la misma.

8. Cuando todo el trabajo de plomería esté terminado revise que no existan fugas de agua, y en caso de ser necesario repárelas antes de continuar con la instalación.

Conexión Eléctrica

⚠ ADVERTENCIA; ANTES DE COMENZAR CUALQUIER TRABAJO EN LA INSTALACIÓN ELÉCTRICA, ASEGÚRESE QUE EL INTERRUPTOR EN EL PANEL DE INTERRUPTORES DE CIRCUITO („BREAKER PANEL“) ESTÁ APAGADO („OFF“) PARA EVITAR POSIBLE SACUDIDA ELÉCTRICA. ANTES DE COMENZAR LA INSTALACIÓN ELÉCTRICA, LA UNIDAD DEBE ESTAR CORRECTAMENTE MONTADA A LA PARED Y TODA LA CONEXIÓN DE PLOMERÍA TERMINADA. EN CASO QUE LAS REGULACIONES LOCALES, ESTATALES O NACIONALES LO REQUIERAN, EL CIRCUITO DEBE SER EQUIPADO CON UN „INTERRUPTOR DE FALTA DE TIERRA“.

1. Todo el trabajo eléctrico debe ser llevado a cabo cumpliendo con los códigos eléctricos nacionales o locales.
2. El calentador DHC-E debe ser conectado a un circuito conectado a tierra y que lleve el apropiado voltaje a la unidad. En instalaciones con varios calentadores DHC-E, cada unidad necesita un circuito independiente. Por favor referirse a la tabla de datos técnicos para identificar el cableado apropiado y el tamaño requerido del interruptor de circuitos.
3. El cable debe ser introducido a través del sello de goma entre las conexiones de agua caliente y fría **E**. Entonces pase los cables a través de la abrazadera y ajuste la tensión sobre el cable. Los cables „vivos“ deben ser conectados a las ranuras en el bloque terminal marcados L y L. El cable a tierra debe ser conectado en conexión marcada con el símbolo de tierra.
4. Reinstale la cubierta plástica.

⚠ ADVERTENCIA: COMO CON CUALQUIER ARTEFACTO ELÉCTRICO, CONEXIÓN INAPROPIADA A TIERRA PUEDE OCASIONAR SERIOS DAÑOS A LA UNIDAD, DAÑOS PERSONALES O LA MUERTE.

Arranque inicial

⚠ ADVERTENCIA: ABRA LA LLAVE DEL AGUA CALIENTE POR ALGUNOS MINUTOS HASTA QUE EL FLUJO DE AGUA SEA CONTINUO Y TODO EL AIRE HAYA SALIDO DE LAS TUBERÍAS DEL AGUA. LA CUBIERTA PLÁSTICA DE LA UNIDAD DEBE SER INSTALADA ANTES QUE EL INTERRUPTOR DE CIRCUITOS SEA ENCENDIDO („ON“)

1. Pase el interruptor de circuitos a la posición ON para suministrar electricidad a la unidad.
2. Ajuste la temperatura del agua al nivel deseado utilizando la perilla al frente de la unidad. El calentador DHC-E presenta la temperatura en grados Celsius. Hay una tabla de conversión en la cubierta frontal de la unidad que le permite convertir grados Celsius a grados Fahrenheit.
3. Abra la llave del agua caliente y espere veinte segundos hasta que la temperatura se estabilice.
4. Sienta la temperatura del agua con su mano para asegurarse que no esté muy caliente. Reduzca la temperatura si es necesario.
5. Explíquelo al usuario como funciona la unidad y ayúdelo a familiarizarse con su uso. Informe al usuario de los posibles peligros (temperatura del agua caliente por encima de 52 °C). Entregue las instrucciones, para ser guardadas en un lugar seguro.

Mantenimiento rutinario

Los calentadores de agua sin tanque de STIEBEL ELTRON DHC-E están diseñados para larga duración. La duración de la unidad varía dependiendo de la calidad del agua utilizada y del uso. La unidad no necesita mantenimiento regular. Sin embargo, para asegurar flujo continuo de agua, se recomienda que se remueva periódicamente cualquier sucio o depósito que se pueda acumular en la salida de agua del grifo o en la cabeza de la ducha. También, el calentador DHC-E tiene un filtro interno que debe ser limpiado regularmente. Para hacer esto, cierre el suministro de agua fría en la válvula aislante y remueva el cable a tierra. **G**. Doble el tubo de suministro de agua 90° en el sentido opuesto a las manecillas del reloj y hale hacia abajo de la unidad. Limpie el filtro y póngalo de nuevo, conecte la tubería que suministra el agua fría y el cable a tierra, tal como estaban originalmente. Asegúrese que la conexión a tierra esté colocada apropiadamente y que el tornillo que sujeta esta conexión esté bien ajustado después de este procedimiento.

⚠ LA ÚNICA PARTE DE LOS CALENTADORES DHC-E QUE REQUIERE SERVICIO ES EL FILTRO. EN CASO DE OTRO MALFUNCIONAMIENTO, POR FAVOR CONTACTE A UN PLOMERO O ELECTRICISTA PROFESIONAL.

Datos Técnicos

Modelo	DHC-E 8		DHC-E 10		
Fase	1		1		
Voltaje	V	208	240	208	240
Potencia en vatios	kW	5.4	7.2	7.2	9.6
Amperios	A	26	30	35	40
Tamaño mínimo requerido del interruptor auto	A	30	40	40	50
Tamaño recomendado del cable AWG COPPER		10	8	8	8
Flujo mínimo de agua necesario para activar la unidad	GPM / l/min	0.45 / 1.7		0.45 / 1.7	
Pérdida de presión en la unidad	PSI / bar	1.46 / 0.1		1.46 / 0.1	
Volumen nominal de agua		0.13 GAL / 0.5 l			
Máxima presión durante uso		150 PSI / 10 bar			
Presión de prueba		300 PSI / 20 bar			
Peso	lbs. / kg	5.9 / 2.7		5.9 / 2.7	
Conexiones de agua		1/2" NPT			

- Apropiado para temperaturas de hasta 35°C / 95 °F
- Apropiado para ser alimentado con agua fría
- Calentadores de agua sin tanque son considerados de carga no continúa
- Conductores deben ser de la medida apropiada para mantener una caída de voltaje de menos de 3 % bajo carga

Identificar y resolver problemas

Problema	Posible Causa	Solución
No hay agua caliente	<ul style="list-style-type: none"> – El interruptor del circuito está apagado ("OFF") – El interruptor de seguridad térmico se ha activado – No hay suficiente flujo de agua para activar la unidad 	<ul style="list-style-type: none"> – Encienda el interruptor en el circuito – Reestablezca la posición original del interruptor térmico – Limpie el filtro de la unidad – Limpie el rociador del grifo o la cabeza de la ducha
El agua no está lo suficientemente caliente	<ul style="list-style-type: none"> – El flujo de agua es muy alto – El voltaje es muy bajo 	<ul style="list-style-type: none"> – Reduzca el flujo de agua hasta que la luz al frente de la cubierta de la unidad deje de parpadear – Suministre el voltaje apropiado a la unidad
Pantalla muestra uno de los siguiente códigos de falla: 91, 92, 93, 94, 95, 96, 97	– Problema con el control electrónico	– Comuníquese con STIEBEL ELTRON.

Si no puede reparar un problema, por favor llámenos al 800-582-8423 antes de retirar la unidad de la pared. STIEBEL ELTRON se complace en proveer asistencia técnica. En la mayoría de los casos, los problemas se pueden resolver a través del teléfono.

Repuestos

Requeto No.	Modelo	DHC-E 8	DHC-E 10
① Sistema calentador		17 03 03	17 03 04
② Sistema de control electrónico		17 03 07	
③ Interruptor térmico de seguridad		17 03 05	
④ Medidor de flujo		17 03 02	
⑤ Conexión de tubería		16 58 93	
⑥ Cubierta (parte posterior)		16 58 91	
⑦ Cubierta (parte frontal)		17 03 06	
⑧ Filtro		15 31 68	
⑨ Armazón del módulo		16 35 60	
⑩ Medidor tipo „Hall“		08 09 35	
⑪ Perilla para el ajuste de la temperatura		16 24 62	